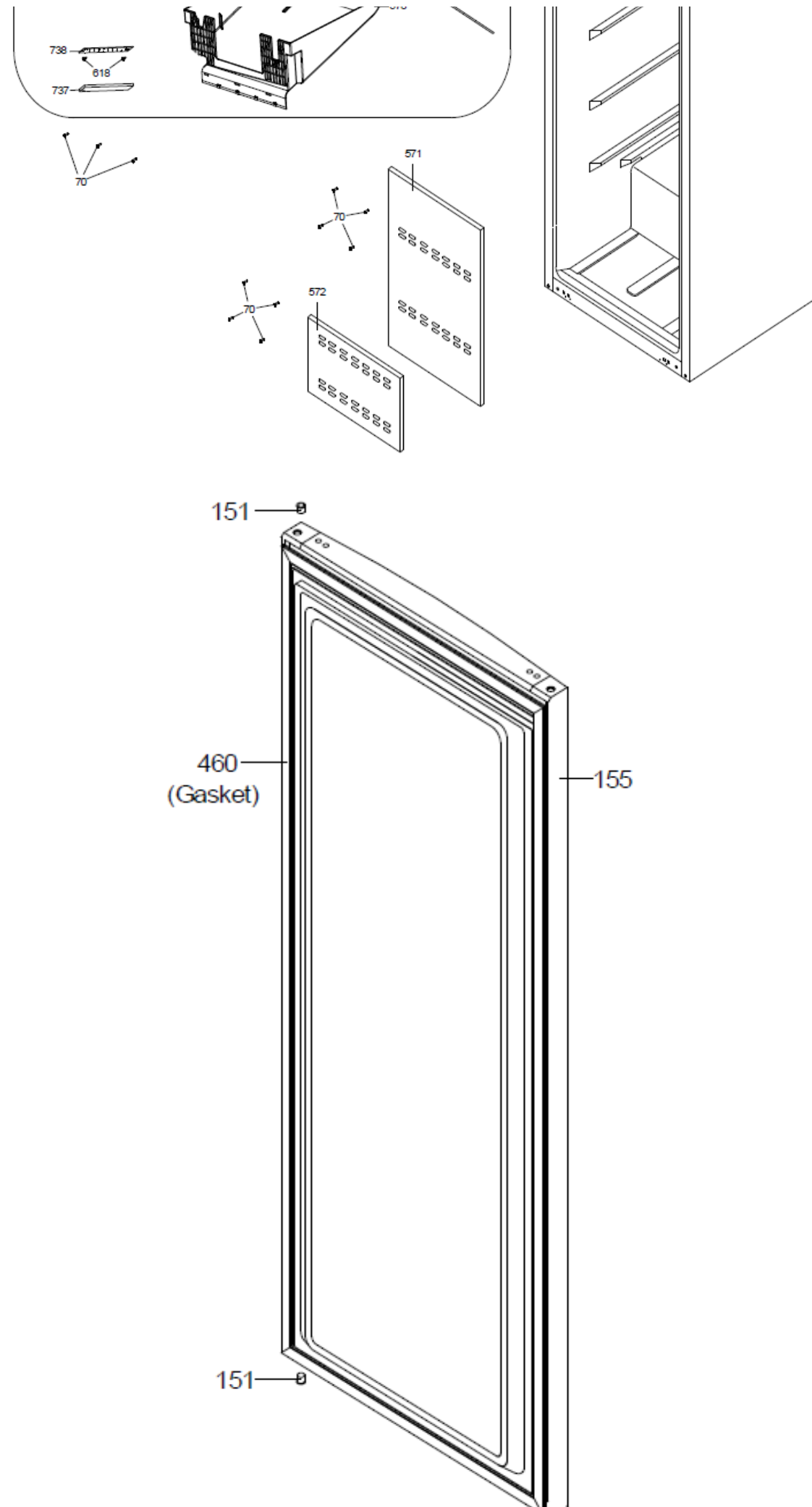




**BIFZ200 Parts List**

103	42032273	HEAD PANEL SEAL/360(S.W.) BIFZ200
117	42031901	F COVER SUPPORT R/390(S.W.) BIFZ200
120	42031903	F COVER SUPPORT L/390(S.W.)(S.W.) BIFZ200
131	35001721	SCREW KA 40*14 YSB-C-INOX BIFZ200
132	42040560	COVER TUBE BIFZ200
201	37027368	CONDENSER 54CM/24 PASS/4,00*0,5MM(2CS) BIFZ200
203	42118033	SPACER(NAT) BIFZ200
205	35009792	SCREW ST 4.8*13 YSB-T-C BIFZ200
207	42155463	RUBBER CONDANSER MUTUAL ANTIVIBRASYON BIFZ200
209	32029218	CAP.SUP.C.GRTB1114Y-2,5M(4UF)TIRNAK ING BIFZ200
210	32007439	POWER CORD(2.5m-ENG) BIFZ200
211	32025001	OVER L.GR.TB1114Y/B50-120/TYQZ108-2 BIFZ200
213	35000743	SCREW 4.2*9.5 YSB-C BIFZ200
214	42119400	EVAPORATING TRAY / 2500 BI BIFZ200
215	37021264	DRYER(XH9,0.40MM,7.5GR)SINGLE BIFZ200
216	20020023	COMP FIXING BRACKET BIFZ200
217	32024990	COMP.TB1114Y/4MF/B50-120/TYQZ108-2/JIAX BIFZ200
218	37024783	COMP.BASEMENT/3200 BI BIFZ200
219	32027294	EARTH WIRE/WASHER BIFZ200
222	37023688	SCREW TT M4*6 YSB-T-F BIFZ200
224	35000728	SCREW KA 50*14 YSB-F BIFZ200
225	35002664	SERVICE TUBE(105*6*0,7)TYPE B BIFZ200
237	42152839	MAINBOARD COVER 2791E/V0 BIFZ200
400	32030736	FIN EVAP GR./2791(S.W)W.LED/CASE HEATER BIFZ200
401	37027370	FIN EVAP ASSY/2791 BIFZ200
409	42027265	PROPELLER/391(FRZ.FAN MOTOR) BIFZ200
455	37000156	SCREW KA 30*6 YSB-F BIFZ200
456	32029657	DB/BDD53/2791/R1.0.10/V35-23312257 BIFZ200
477	42162359	TOP BRACKET/ANK(3 HOLE)(S.W) TAPED BIFZ200
477	42034032	TOP BRACKET/ANK(3 HOLE)(S.W) BIFZ200
480	37001045	SCREW KA 40*17 OZEL1-C BIFZ200
481	42032772	SEALING/3200 ANK-SS(S.W.) BIFZ200
500	42152552	FAN BOX/243 BIFZ200
510	37003078	SCREW M5*14 YHB-F BIFZ200
542	32030752	CASE HEATER GRB 2791/230V/35W BIFZ200
571	42152850	MULTIFLOW COVER TOP 2791(S.W.) BIFZ200
572	42152849	MULTIFLOW COVER BOTTOM 2791(S.W.) BIFZ200
574	42027261	FAN BOX MOTOR FIXER/391 BIFZ200
575	42118751	FAN MOTOR SEAL/391(RV1) BIFZ200
576	52189466	FIN EVAP PAD/2791 BIFZ200
578	42152848	FIN EVAP BOX/2791(S.W.) BIFZ200
588	37022711	SCREW ST 4.2*14 SPECIAL 17-C BIFZ200
618	37010180	SCREW 30*8 YSB-F-INOX BIFZ200
829	37012412	SCREW TT M4*17 OZEL2-C BIFZ200
1026	42018611	COMPRESSOR RUBBER BIFZ200
132B	42118012	BACK COVER BIFZ200
238A	32029651	MAINBOARD COVER GR 2791E/V0/BD52 BIFZ200
76B	42152837	HEAD PANEL COVER 2791 LEFT S.W BIFZ200
P101	50007464	PACKAGE STRIP(0,8MM*11,5MM) BIFZ200
	22000855	PACK. LABEL/2791 BELLING-ING(BIFZ200) BIFZ200
	22000856	NAME PLATE/2791 BELLING-ING(BIFZ200) BIFZ200





22000857	ENERGY LBL/2791 BELLING(BIFZ200) BIFZ200
40004104	BUTYL RUBBER(120*60*2MM) BIFZ200
42157037	F FLAP COVER 2791TRAN-GRAY BIFZ200
52180191	INSTALLATION KIT BAG UNPRINTED 10*15 CM BIFZ200
47014014	TAPE PET(48MM*R)TRANS BN31 BIFZ200
50008789	CUT PAD(75*50*15,5) BIFZ200
52002341	PAD UPPER/1400 ANK BIFZ200
52002367	PAD CORNER FRONT/1400 ANK BIFZ200
52002368	PAD CORNER BACK/1400 ANK BIFZ200
52002535	*PACKAGE CARTOON//3200 ANK BIFZ200
52003841	PAD LOWER GR/1400 ANK (CARTON) BIFZ200
52002342	PAD LOWER/1400 ANK BIFZ200
52113234	CYCLO-ISO/ PENTANE LABEL BIFZ200
52166190	PAC.BAG.(1400*1950*0,020)345-360-400 HIS BIFZ200
52205454	*WARRANTY LABEL/BELLING (IRLANDA) BIFZ200
52209529	CUT PAD(374*50*13) BIFZ200
52209578	USER'S MANUEL/2791 BELLING(BIFZ200) BIFZ200
52209830	PRODUCT FICHE/2791(A+)10695365 BIFZ200